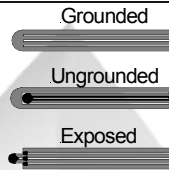
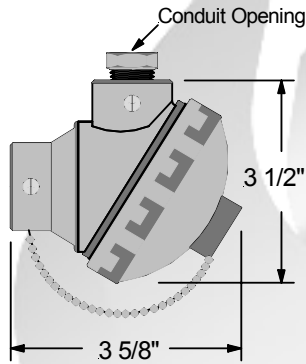


Mineral Insulated Thermocouple

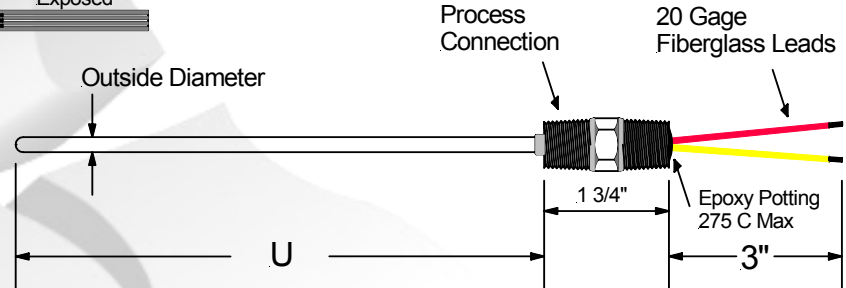
Hex Nipple Style

Operating Temperature:
-200 C to +1000 C Max.

Connection Head



Model Code: **N4**



Model:

N4

A B C D E F G H I J

A	Outside Diameter
1	0.063"
2	0.125"
3	0.188"
4	0.250"
5	0.315"
6	0.375"
7	0.500"

B	Sheath Material
A	304 Stainless
B	316 Stainless
C	310 Stainless
D	Inconel 600

C	"U" Dimension
Specify "U" Length In Inches <u>0 0 6</u>	

Example "U" is 6" = 006

D	"U" Fractional Dimension
A	0.125"
B	0.188"
C	0.250"
D	0.315"
E	0.375"
F	0.500"
G	0.625"
H	0.750"
I	0.875"
J	None

E Calibration			
Standard limits of error		Special limits of error	
1	J	6	J
2	K	7	K
3	T	8	T
4	E	9	E
5	N	10	N

F	Junction Styles			
Element Description	Grounded		Exposed	
	Common	Isolated	Common	Isolated
Single	G	U	J	E
Duplex	D	F	H	M
Triplex	T	Q	R	V

G	Process Connection
1	1/4" NPT
2	1/2" NPT
3	3/4" NPT

H	Connection Head Model
A	None, 3" Split Leads
B	Cast Aluminum: Standard
C	Cast Aluminum: Mini
D	Polypropylene: FDA Appr.
E	Cast Iron: Standard
F	316 Stainless Steel
G	Explosion Proof

I	Conduit Opening
1	None
2	1/2" NPT
3	3/4" NPT

J	Connection Head Options
N	None
B	No Terminal Block
S	Spring Loaded
T	4-20mA Transmitter
R	Options S & T
Q	Options S & B

Nordic Sensors Ind. Inc. Tel: 1-888-667-3421 & Fax: 1-888-867-9986.