

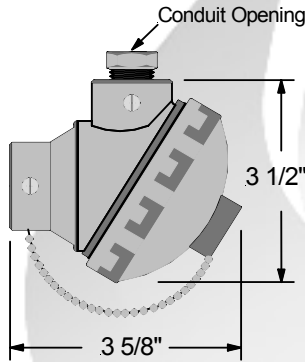
Mineral Insulated RTD Probe Assembly

Hex Nipple Process Style

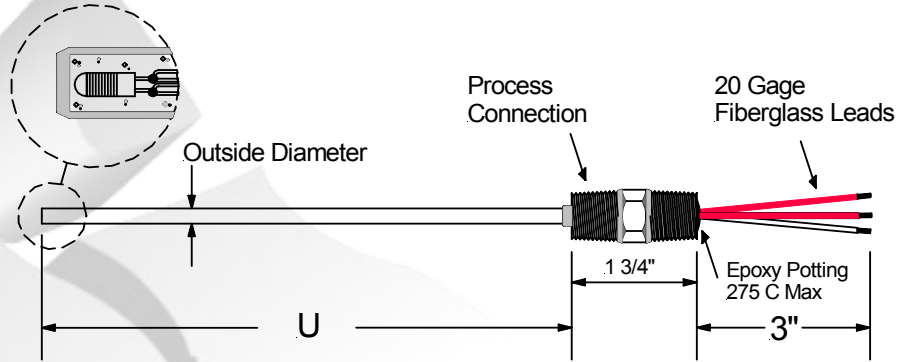
Operating Temperature:
-200 C to +500 C Max.

Model Code: 4N

Connection Head



Ceramic RTD Element



Model:

4N

A B C D E F G H I J

A	Outside Diameter
1	0.079"
2	0.125"
3	0.188"
4	0.250"

B	Sheath Material
A	304 Stainless
B	316 Stainless

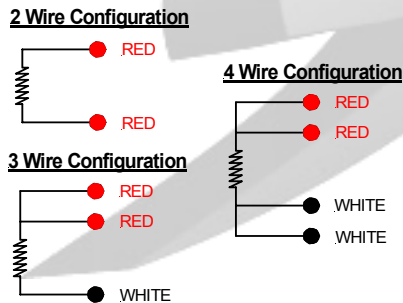
C	"U" Dimension
Specify "U" Length In Inches <u>0 0 6</u>	
Example "U" is 6" = 006	

D	"U" Fractional Dimension
A	0.125"
B	0.250"
C	0.375"
D	0.500"
E	0.625"
F	0.750"
G	None

E	RTD Element Type		
	Ohms	Class A	Class B
1 x Pt100	1	2	
2 x Pt100	3	4	
1 x Pt1000	5	6	
2 x Pt1000	7	8	

Temperature Coefficient: 0.00385
Platinum element
IEC 751

F	RTD Wire Connection
A	2 Wire Configuration
B	3 Wire Configuration
C	4 Wire Configuration



G	Process Connection
1	1/4" NPT
2	1/2" NPT
3	3/4" NPT

H	Connection Head Model
A	None, 3" Split Leads
B	Cast Aluminum: Standard
C	Cast Aluminum: Mini
D	Polypropylene: FDA Appr.
E	Cast Iron: Standard
F	316 Stainless Steel
G	Explosion Proof

I	Conduit Opening
1	None
2	1/2" NPT
3	3/4" NPT

J	Connection Head Options
N	None
B	No Terminal Block
S	Spring Loaded
T	4-20mA Transmitter
R	Options S & T
Q	Options S & B

Nordic Sensors Ind. Inc. Tel: 1-888-667-3421 & Fax: 1-888-867-9986.